

4

3

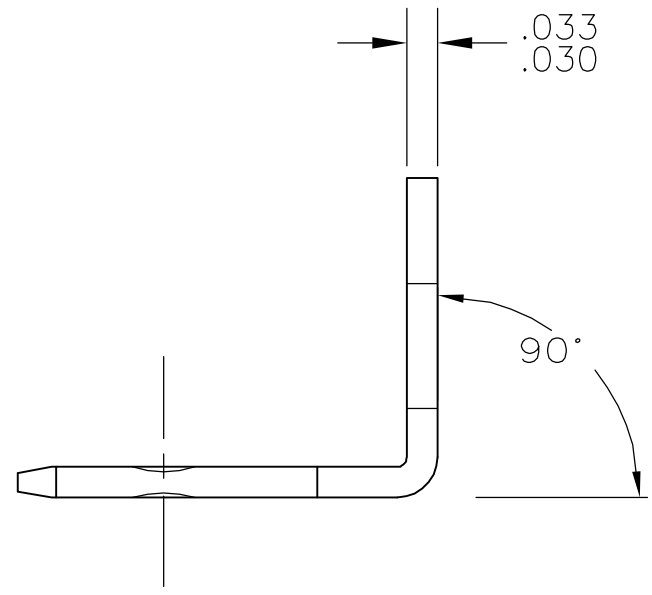
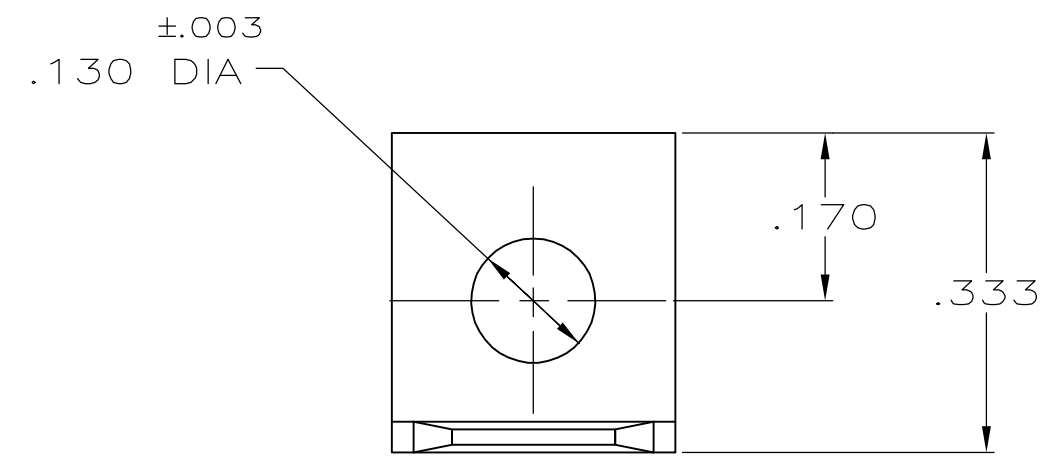
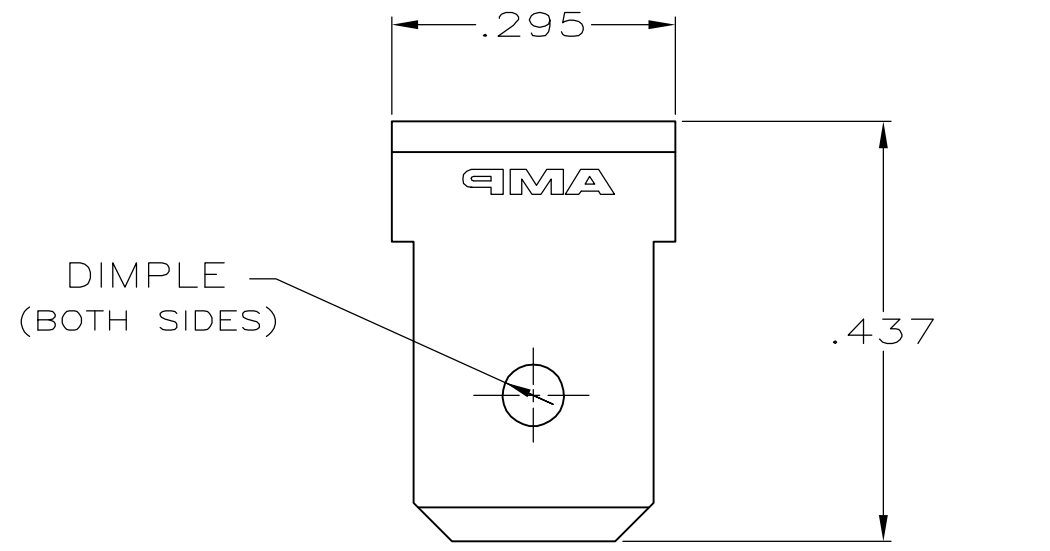
2

1

THIS DRAWING IS UNPUBLISHED. RELEASED FOR PUBLICATION  
© COPYRIGHT - BY TYCO ELECTRONICS CORPORATION. ALL RIGHTS RESERVED.

LOC	DIST	REVISIONS					
AF	50	P	LTR	DESCRIPTION	DATE	DWN	APVD
		F		REV PER ECR-05-017287	04APR06	HMR	JR

1 SUPPLIED IN LOOSE PIECE.



TIN	42095-1
FINISH	PART NO

THIS DRAWING IS A CONTROLLED DOCUMENT.		DWN	JR RUTH	3/8/95	<b>tyco</b> <b>Electronics</b>	Tyco Electronics Corporation													
DIMENSIONS: INCHES		CHK	MS FEHER	3/8/95		Harrisburg, PA 17105-3608													
TOLERANCES UNLESS OTHERWISE SPECIFIED:		APVD	P DESANTIS	3/8/95		NAME													
<table border="1"> <tr><td>0 PLC</td><td>± -</td></tr> <tr><td>1 PLC</td><td>± -</td></tr> <tr><td>2 PLC</td><td>± -</td></tr> <tr><td>3 PLC</td><td>± .015</td></tr> <tr><td>4 PLC</td><td>± -</td></tr> <tr><td>ANGLES</td><td>± -</td></tr> </table>		0 PLC	± -	1 PLC	± -	2 PLC	± -	3 PLC	± .015	4 PLC	± -	ANGLES	± -	PRODUCT SPEC		-		TAB, FASTON, .250 SERIES	
0 PLC	± -																		
1 PLC	± -																		
2 PLC	± -																		
3 PLC	± .015																		
4 PLC	± -																		
ANGLES	± -																		
MATERIAL		APPLICATION SPEC		-		SIZE	CAGE CODE	DRAWING NO	RESTRICTED TO										
082 BRASS		FINISH		-		A3	00779	C-42095	-										
SEE TABLE		WEIGHT		-		CUSTOMER DRAWING		SCALE	SHEET	REV									
						5:1		1 OF 1	F										